

INSIGNIA™

QUICK SETUP GUIDE

32" LED TV
NS-32D512NA15

Thank you
for purchasing this state-of-the-art Insignia television. We hope you enjoy the quality and reliability of this television for years to come.



Roku Ready®
Your TV is certified to work with the Roku Streaming Stick™. Instantly stream 1000+ entertainment channels, including Netflix, Hulu Plus, Pandora, and more. Connect the Streaming Stick (not included) to the purple MHL port on your TV and enjoy.

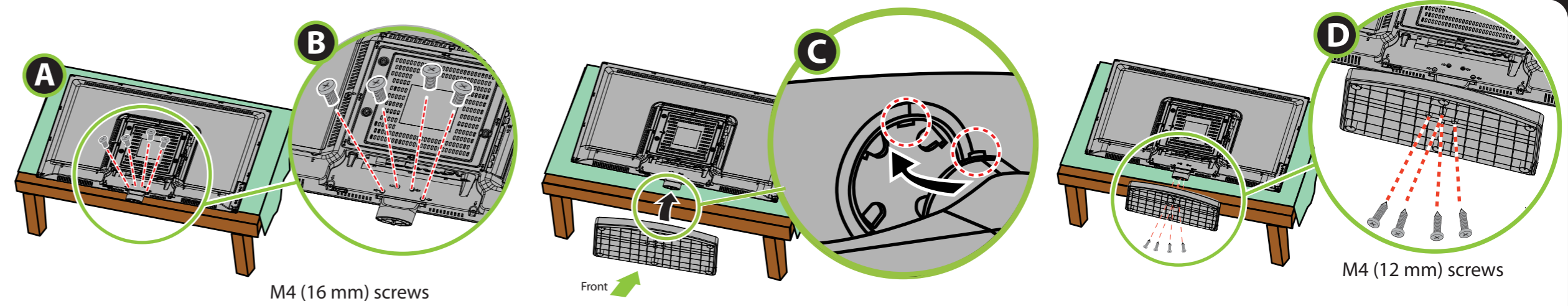
FIND YOUR USER GUIDE ONLINE!
We are going green so a copy of your User Guide is not provided in the box but is available online. Go to www.insigniaproducts.com, then click **Support & Service**. Enter your model number in the box under **Manual, Firmware, Drivers & Product Information**, then click ▶.



1 START HERE

How do I attach the stand to my TV? (not for wall mounting)

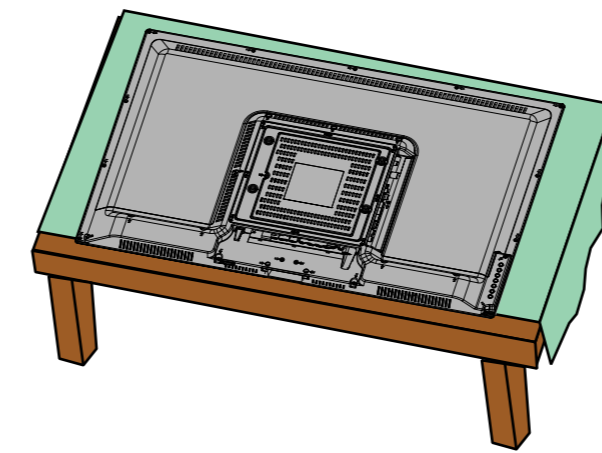
- You'll need:** Phillips screwdriver and a soft surface to lay the TV on.
- A** Carefully place your TV face-down on a cushioned, clean surface to protect the screen.
 - B** Attach the stand column using the four provided M4 (16 mm) screws. These are the longer screws.
 - C** Find the front of the stand. Attach to the TV by hooking the slot in the stand onto the tab on the stand column, then push the base into place.
 - D** Secure the TV stand with the four provided M4 (12 mm) screws. These are the shorter screws.



- OR -

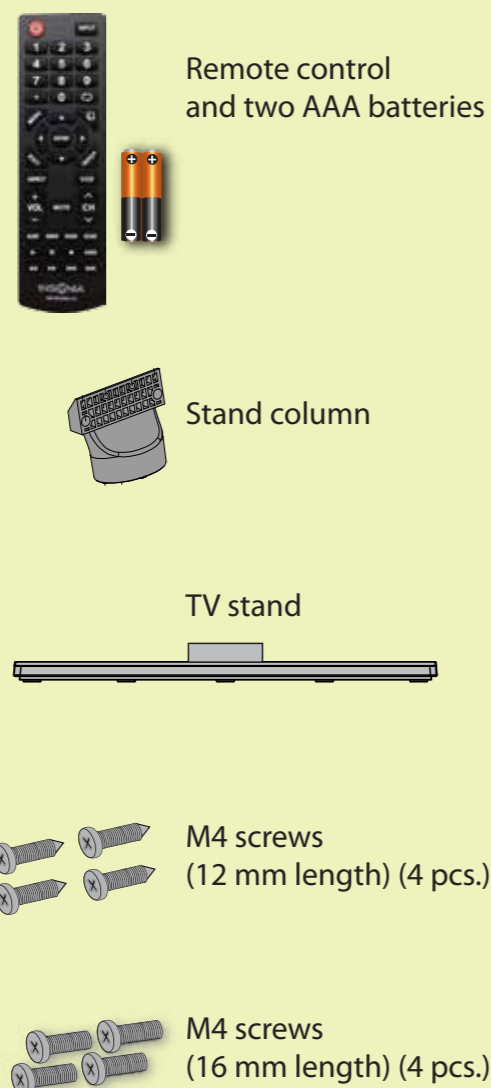
How do I prepare my TV for wall mounting (not for use with a TV stand)

- A** Carefully place your TV face-down on a cushioned, clean surface to protect the screen.
- B** See the instructions that came with your wall mount for more information about how to correctly mount your TV.



STOP!
Do not plug your power cord in until all other devices have been connected.

Included accessories



Which cables do you have?

Your TV has several different jacks for connecting devices. For the best video quality, use the best available connection.

VIDEO QUALITY	JACKS TYPE	CABLE CONNECTOR
BEST	HDMI video/audio	
BETTER	Component video and analog audio	
GOOD	Composite video and analog audio (AV)	
GOOD	Coaxial video/audio	

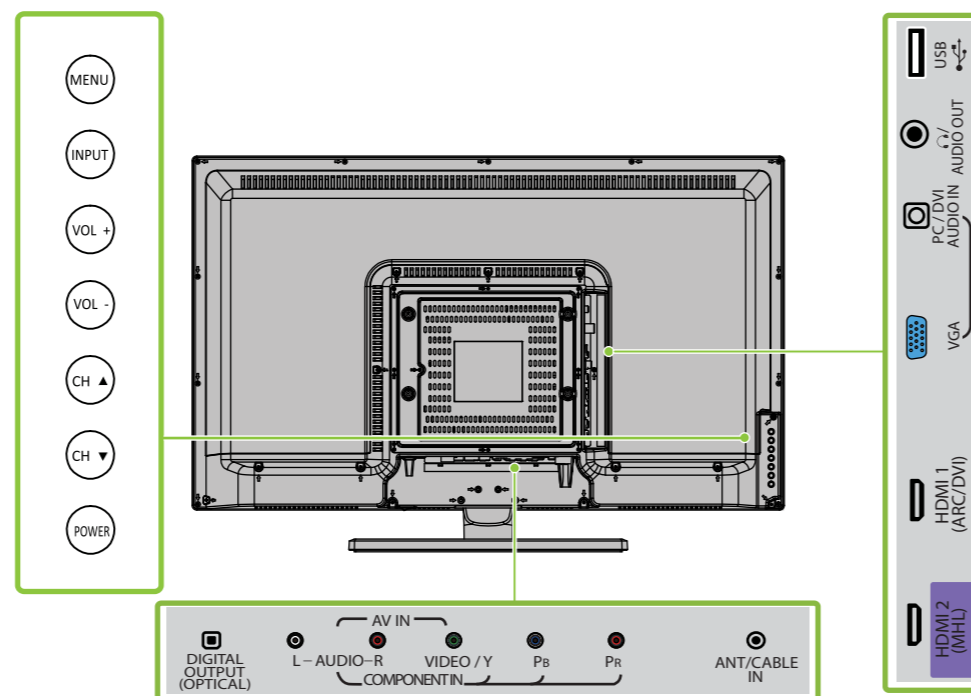
Note: You can also connect a DVI device to your TV. See your online User Guide for connection instructions.

Features

Front view



Back view

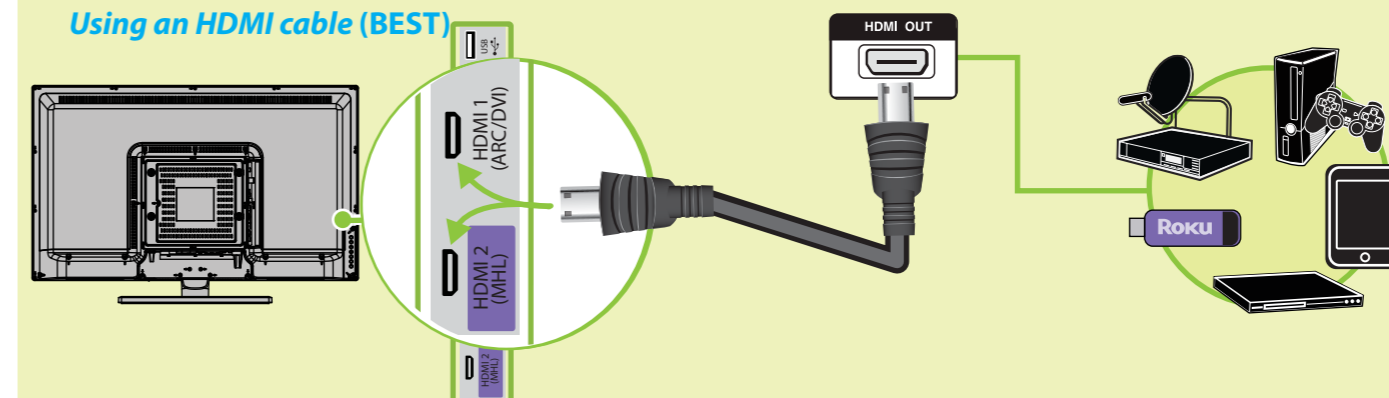


Note: Images do not necessarily represent the exact design of your television.

2 MAKING CONNECTIONS

How do I watch TV (cable or satellite box) and/or connect a device such as a DVD or Blu-ray disc player, game console, Roku Streaming Stick™, or MHL-enabled device?

Using an HDMI cable (BEST)

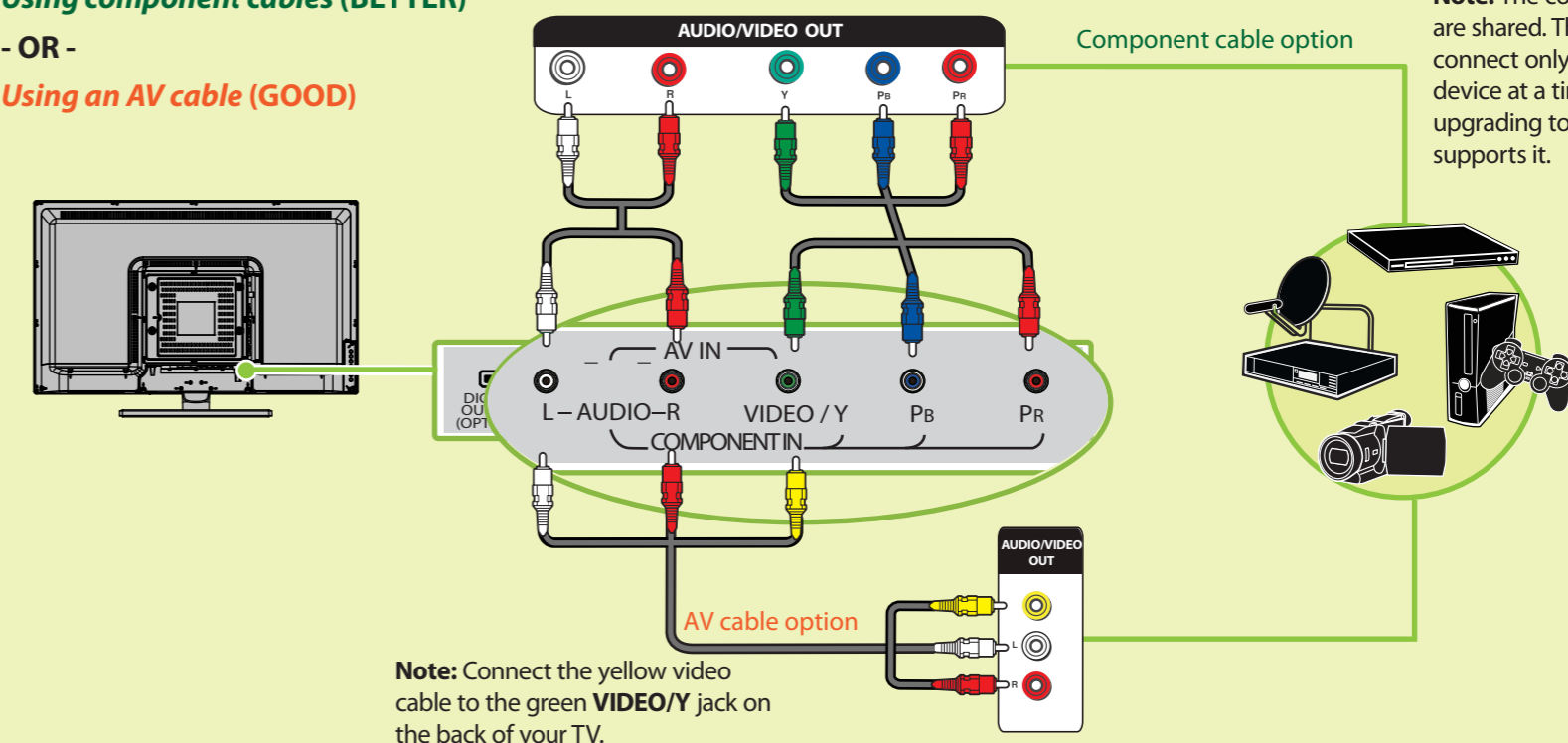


Multi-purpose jacks: You can plug any device that uses HDMI into either HDMI jack. However, certain devices must be connect to the **ARC** or **MHL** jack. See the instructions that came with your ARC, DVI, or MHL device for more information.

Using component cables (BETTER)

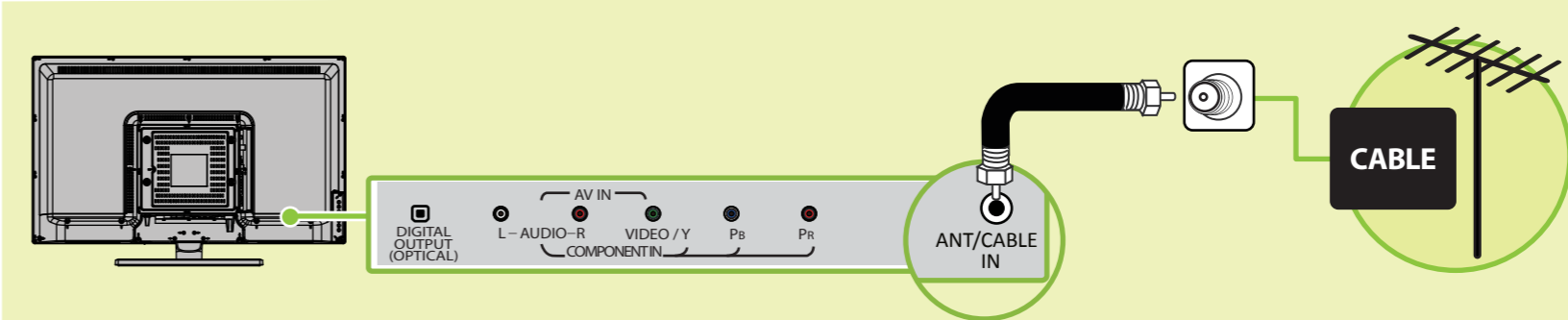
- OR -

Using an AV cable (GOOD)



Note: The component and AV jacks are shared. This means you can connect only one component or AV device at a time. We suggest upgrading to HDMI if your device supports it.

How do I connect my TV to an antenna or cable wall jack?

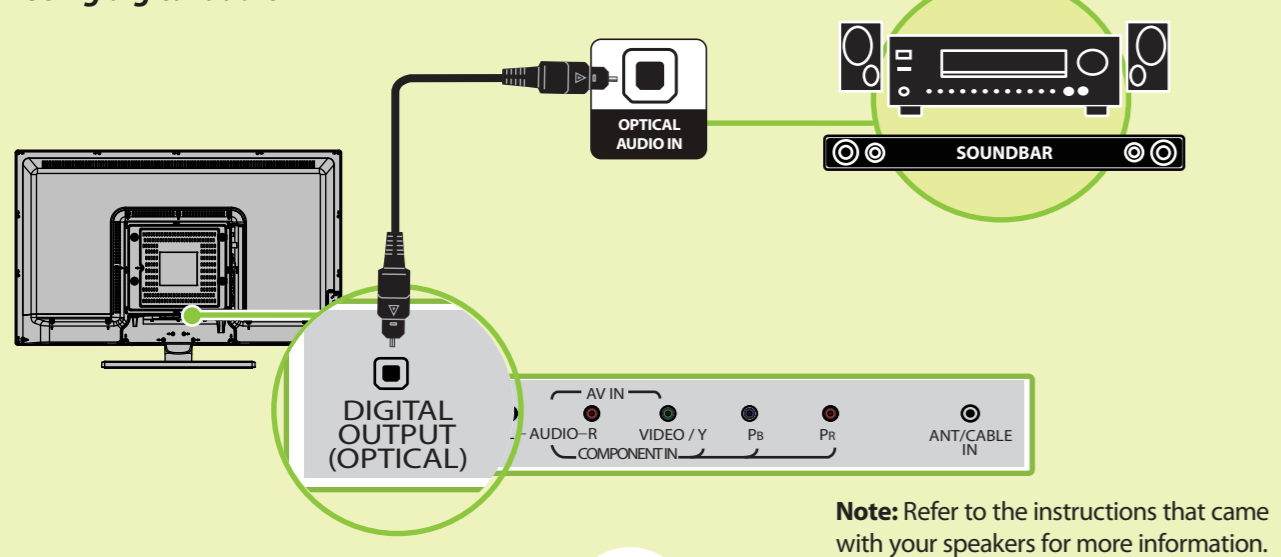


OVER

3 CONNECTING AUDIO DEVICES

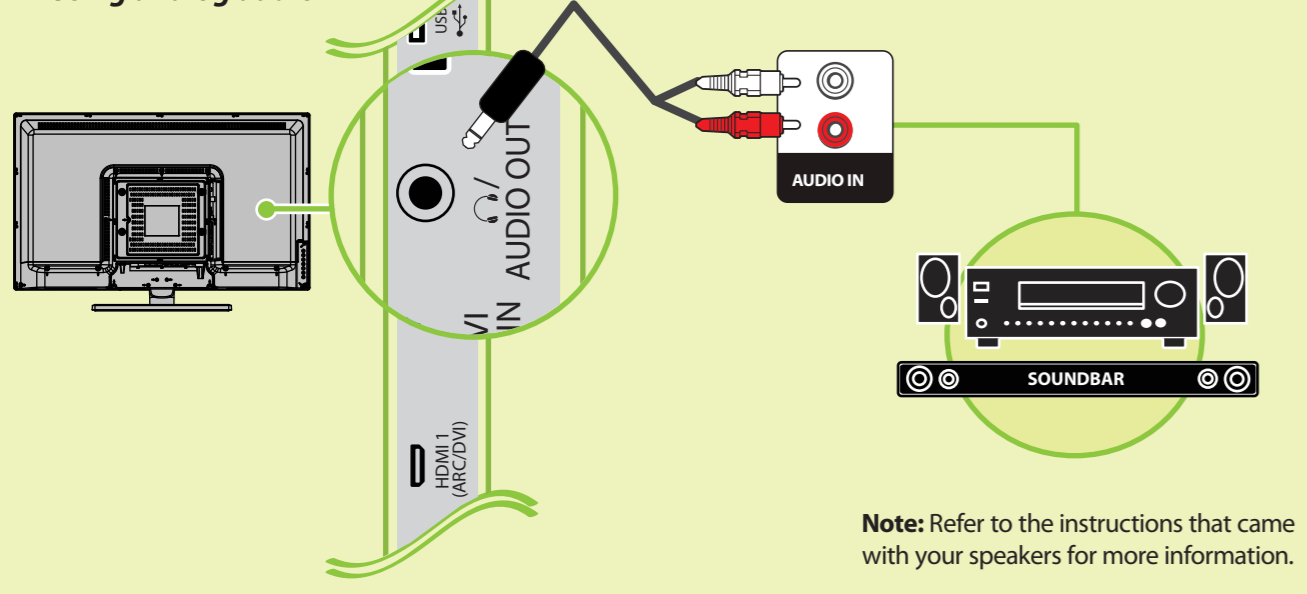
How do I connect my TV to external speakers?

Using digital audio



- OR -

Using analog audio



Using your remote control

Roku Ready® means you can use your Insignia remote to control the Streaming Stick without having to pick up a different remote control.

INPUT SOURCE

- TV
- HDMI1
- HDMI2
- Component/AV
- VGA
- USB(Photos)

INPUT

Opens the *INPUT SOURCE* list.

Power

Turns your TV on or off.

Numbers

Enter channel numbers.

Recall

Returns to the previous channel.

ENTER

Confirms selections or changes.

Arrows

TV: Navigate in on-screen menus.
Roku Streaming Stick: Navigate in Roku screens.

MENU

Opens the on-screen menu.

Home

Opens the MHL device's home menu when a MHL device is plugged in.
Roku: Switches to a connected Roku Streaming Stick.

EXIT

TV: Closes the on-screen menu.
Roku: Closes the menu or videos.

INFO*

TV: Opens a TV status banner.
Roku: Accesses special Roku options when a Roku Streaming Stick is plugged in.

ASPECT

Changes how the picture is displayed on the screen.

CCD

Turns closed captioning on or off.

Volume

Changes the volume.

MUTE

Mutes the sound.

SLEEP

Sets the sleep timer.

FAVORITE

Opens the Favorite Channel List.

Channel

Changes the TV channels.

Media controls

INlink: Control HDMI-CEC devices connected to your TV.
USB: Control the photo slideshow.
Roku: Control a movie or show that is playing.

MTS/SAP

Analog TV – Cycles through mono, stereo, and secondary audio for analog programs.
Digital TV – Selects the audio language for the current channel.

PICTURE

Selects the video mode.

AUDIO

Selects the audio mode.

What are my screen-size options?

- NORMAL:** Original aspect ratio is preserved. Black bars are present if content is not widescreen (16:9)
- ZOOM:** Expands the image to fill the screen. The top and bottom of the image may be cropped.
- WIDE:** Displays content recorded in a 16:9 (wide-screen) aspect ratio.
- CINEMA:** Stretches the image at the edges, but keeps a clear image in the center.
- AUTO:** Automatically adjusts the image based on the screen size and the TV program. Select this option if you are uncertain which aspect ratio to choose.
Note: Auto is only available when Auto Zoom in the Channels menu is set to On.

4 TURNING ON MY TV

When can I turn on my TV?

The best time to turn on your TV is after you have attached the TV stand or wall-mounted your TV and connected all devices.

When your television is in place:

1 Plug the end of the AC power cord into a power outlet.

2 Remove the remote control cover and install the batteries, matching the + and - symbols.

3 Press (power) on your remote control.

4 Follow the on-screen instructions.

I already have a universal remote control. How do I make it control this TV?

If you already have a universal remote control that you would like to program to work with your TV and don't want to use the included Insignia remote control, see the table for common codes.

UNIVERSAL REMOTE TV CODES	
CABLE BOX, SATELLITE BOX, OR OTHER SET-TOP BOX	
Cablevision	068, 069, 078, 096, 100, 164, 168, 229, 026
Charter	2002, 1204, 1423, 1517, 0171, 1963, 0463, 1463, 0842, 1326, 167, 415, 424, 450, 456, 461, 507, 523, 567, 577, 586
Comcast	10171, 11204, 11326, 11463, 11517, 11641, 11780, 11785, 11892, 11963, 12002
Cox	1326, 1463
Direct TV	10171, 11204, 11326, 11517, 11564, 11641, 11963, 12002
Dish Network	720
Time Warner	400, 450, 461, 456, 10463, 1463, 0463
Tivo	0091
Verizon	0198, 0490
UNIVERSAL REMOTE CONTROLS	
One for All	0054
Philips	0198, 0490
RCA	135
Sony	068, 069, 078, 096

For an up-to-date list of codes for other cable providers and universal remote brands, scan this QR code or visit www.insigniaproducts.com/remotecodes

One-year limited warranty
Visit www.insigniaproducts.com for details.

Need additional help?
See your online *User Guide!* This comprehensive guide includes everything from basic how-to steps to more advanced features. A copy of your *User Guide* is not provided in the box but is available online. Go to www.insigniaproducts.com, then click **Support & Service**. Enter your model number in the box under **Manual, Firmware, Drivers & Product Information**, then click ▶.

Check out our **Support Community** <http://community.insigniaproducts.com/> for helpful information from other Insignia TV owners.

We're here for you
www.insigniaproducts.com
For customer service, call:
877-467-4289 (U.S./Canada)

INSIGNIA is a trademark of Best Buy and its affiliated companies.
Registered in some countries.
Distributed by Best Buy Purchasing, LLC
7601 Penn Ave South, Richfield, MN 55423 U.S.A.
©2014 Best Buy. All rights reserved.
Made in China

V2 ENGLISH 14-0698